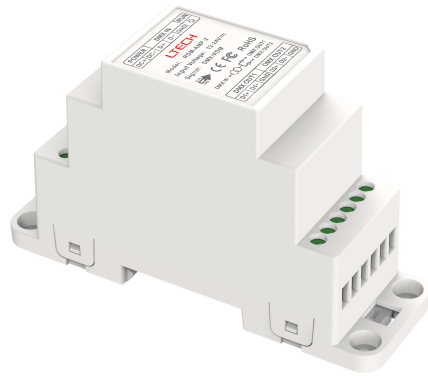


RDM-AMP-2 RDM Signal Amplifier



- Automatically recognize DMX/RDM signals, used in the DMX/RDM lighting control system;
- 1 channel input, 2 channel outputs; multiple channel outputs to increase DMX device number;
- Relay function for amplifying weak DMX/RDM signals and extending the signal transmission distance;
- Independent photoelectric isolation between the input and the outputs to improve overall security and reliability of the lighting control system;
- DIN rail or screw mounting, suitable for project applications.

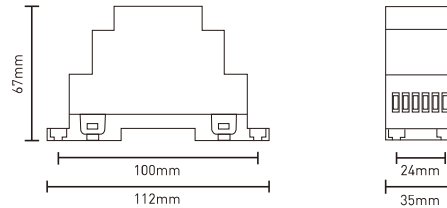
Technical Specs

RDM-AMP-2

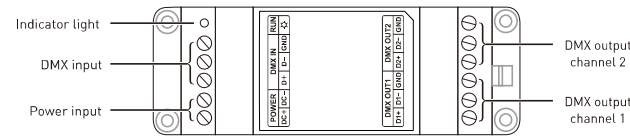
Product model: 12-24V =	Working temperature: -20°C-55°C
Input voltage: 1CH DMX/RDM signal input	Dimensions: L112×W35×H67mm
Output signal: 2CH DMX/RDM signal outputs	Package size: L114×W37×H69mm
Photoelectric isolation voltage: >3KV	Net weight: 97g

Product Size

Unit: mm

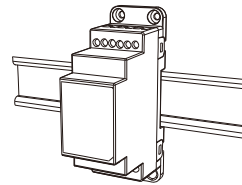


Terminal description

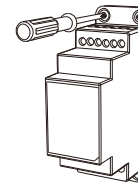


Mounting methods:

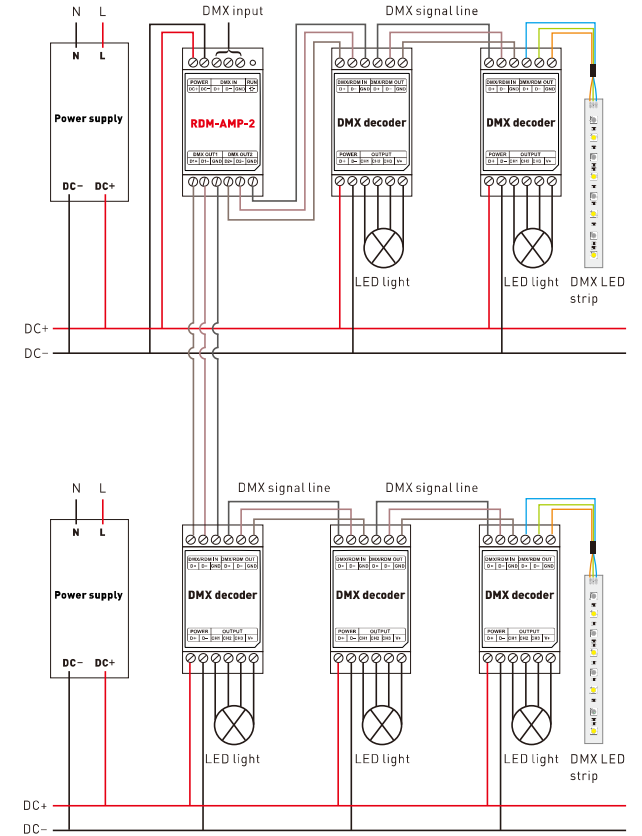
① DIN rail mounting
(DIN rail specs: TS-35/7.5 or TS-35/15)



② Screw mounting

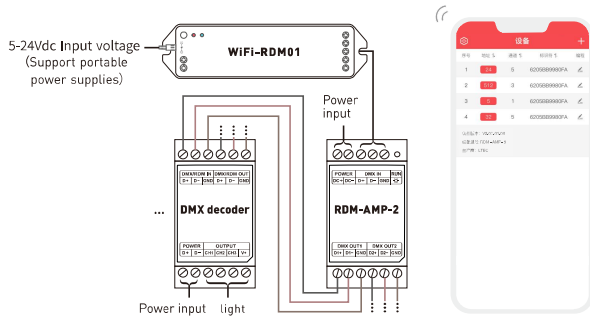


Connection diagram



Work with a RDM Programmer

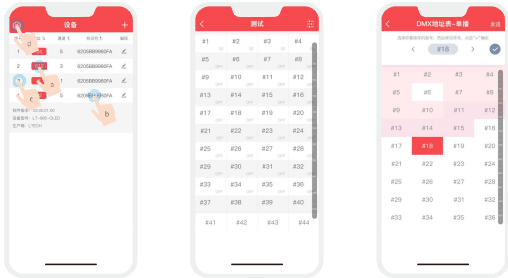
DMX/RDM signal amplifier can work with a RDM programmer that follows the standard RDM protocol. It is recommended to use the LTECH RDM Programmer (Model: WiFi-RDM01), which allows users to remotely browse & set parameters, DMX address via the mobile APP.



Mobile App Interfaces for the RDM Programmer

Download the App with your mobile phone and connect to the RDM Programmer successfully, then you are allowed to set parameters through the APP. Please refer to the WiFi-RDM01 manual for more details.

- At the homepage, click "Add" of the device you are going to operate to edit the address, as shown below in the interface.
- Click "ID" to get more details for devices.
- Click "No" to issue an recognizing command.
- Click "⚙️" in the upper left corner to access the settings which allows you to test, edit DMX addresses, set Wi-Fi for devices and upgrade firmware.



Home page

Test

DMX address setting

Transportation and Storage

1. Transportation

Products can be shipped via vehicles, boats and planes. During transportation, products should be protected from rain and sun. Please avoid severe shock and vibration during the loading and unloading process.

2. Storage

The storage conditions should comply with the Class I Environmental Standards. The products that have been stored for more than six months are recommended to be re-inspected and can be used only after they have been qualified.

Attentions

- Product installation and commissioning should be done by a qualified professional.
- LTECH products are and not lightningproof non-waterproof (special models excepted), Please avoid the sun and rain. When installed outdoors, please ensure they are mounted in a water proof enclosure or in an area equipped with lightning protection devices.
- ensure they are mounted in a water proof enclosure or in an area equipped with lightning protection devices.
- Good heat dissipation will prolong the working life of products. Please ensure good ventilation.
- Please check if the working voltage used complies with the parameter requirements of products.
- Before you power on products, please make sure all the wiring is correct in case of incorrect connection that causes damage to light fixtures.
- If a fault occurs, please do not attempt to fix the product by yourself. If you have any question, please contact the supplier.



www.ltech-led.com

ZHUHAI LTECH TECHNOLOGY CO., LTD.

1st Building, No. 183, Shui'an 1st Road, Xiangzhou District,
519060 Zhuhai City, PEOPLE'S REPUBLIC OF CHINA

Warranty Agreement

- Warranty periods from the date of delivery: 5 years.
- Free repair or replacement services for quality problems are provided within warranty periods.

Warranty exclusions below:

- Beyond warranty periods.
- Any artificial damage caused by high voltage, overload, or improper operations.
- Products with severe physical damage.
- Damage caused by natural disasters and force majeure.
- Warranty labels and barcodes have been damaged.
- No any contract signed by LTECH.

- Repair or replacement provided is the only remedy for customers. LTECH is not liable for any incidental or consequential damage unless it is within the law.
- LTECH has the right to amend or adjust the terms of this warranty, and release in written form shall prevail.