

Our cables are purpose-built to seamlessly connect and power every lighting product in our portfolio. Whether you're installing linear fixtures, pixel-controlled modules, or dynamic façade luminaires, these cables ensure robust electrical continuity and consistent signal transmission across your entire system.

Designed with matching connectors, lengths, and specifications per product type, they simplify installation and reduce on-site wiring complexity. From plug-and-play leader cables for quick connections to durable jumper cables bridging longer distances, every cable is tested for reliability and performance in demanding environments.

- System-Matched Design — Fully compatible with each fixture type for plug-and-play integration.
- Robust & Scalable — Built to support flexible layouts, long runs, and outdoor-grade durability.



CE RoHS IP68 IK08

Specifications

Operating

Environment	Outdoor	
Storage Temperature (°C)	-40 to +85	
Working Temperature (°C)	-25 to +65	
Oil Resistant	Yes	
UV Resistant	Yes	
Flame Retardant	Yes	
IK Rating	IK08	
IP Rating	M19	IP68
	RJ45	IP20
Certification	CE, RoHS	
Limited Warranty	5 Years	

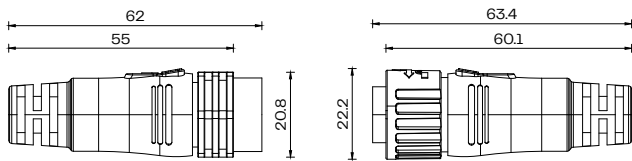
Physical

Cable Material	PCP	
Connector Material	M19	Nylon (PA66)
	M12data	Nylon (PA66) + SS316
	RJ45	Nylon (PA66) + PC
Cable Color	Black	
Connector Type	M19, M12data, RJ45	

Options

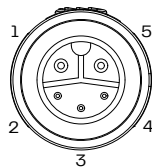
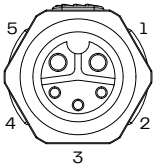
Single Feed System

- Short Range
- Long Range



Male Connector

Female Connector



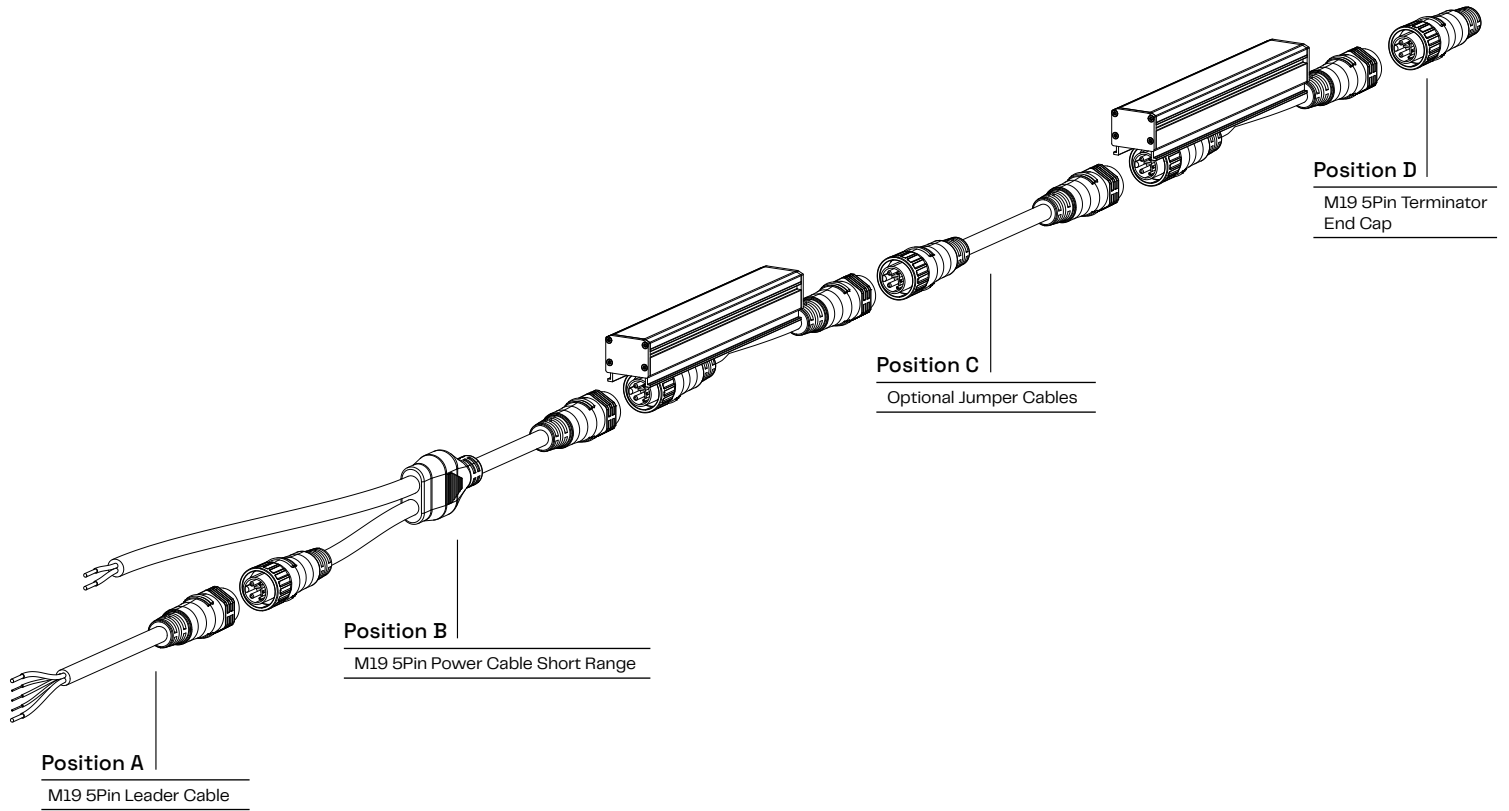
Pin Out

Pin 1	Red	V+
Pin 2	Green	Data +
Pin 3	White	Program
Pin 4	Yellow	Data -
Pin 5	Black	GND

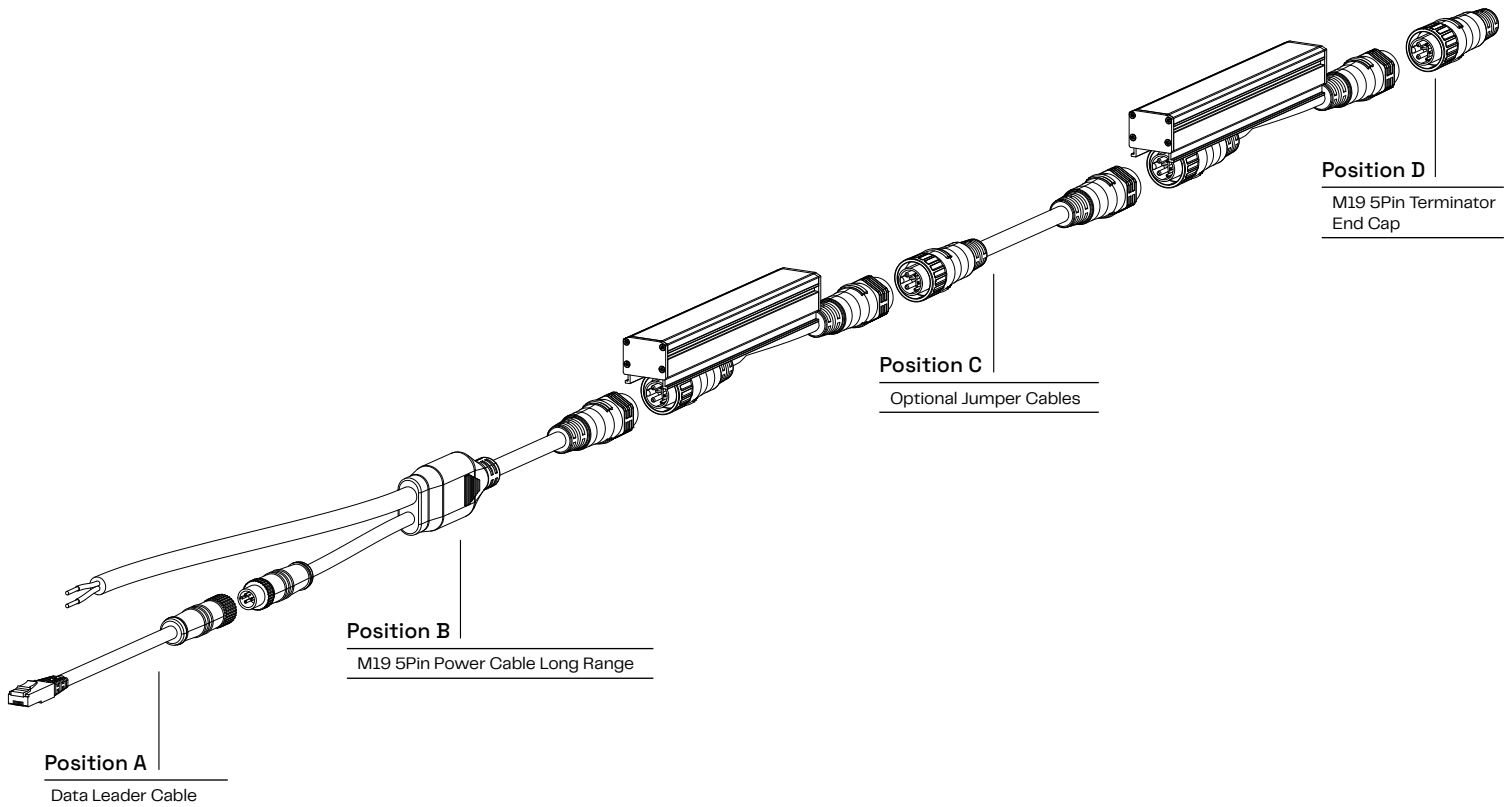
DO NOT PUBLISH

Optional Systems

Single Feed System Short Range



Single Feed System Long Range



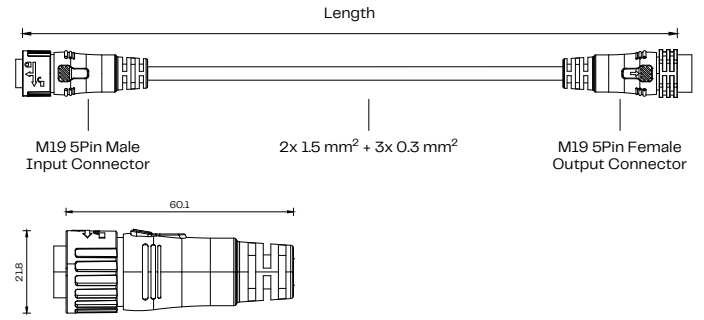
For additional advanced system options, please contact our sales department.

Product Configurations

Universal

M19 5Pin Jumper Cable

Product Code	Cable Length (m)	Weight (kg)
7940171	1	0,2
7940172	2	0,4
7940173	3	0,6
7940174	5	1
7940175	10	2



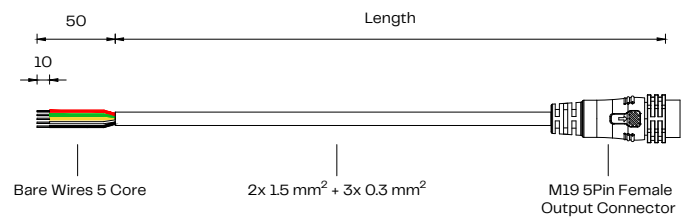
M19 End Cap

Product Code	Variation
7940162	M19 Terminator End Cap

Single Feed System Short Range

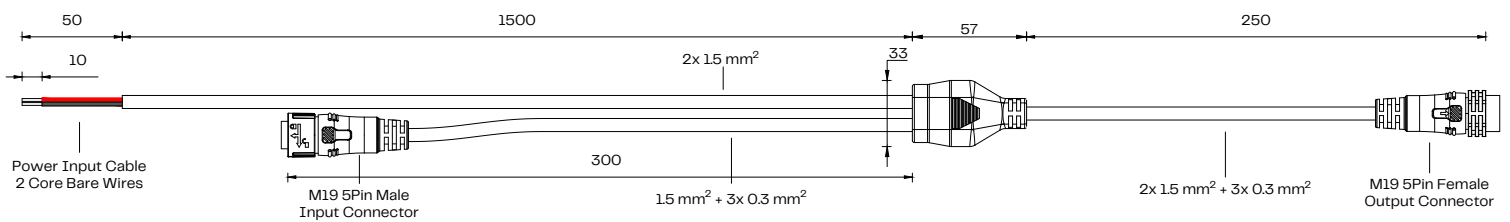
M19 5Pin Leader Cable

Product Code	Cable Length (m)	Weight (kg)
7940151	1	0,2
7940152	2	0,4
7940153	3	0,6
7940154	5	1
7940155	10	2



M19 5Pin Power Cable

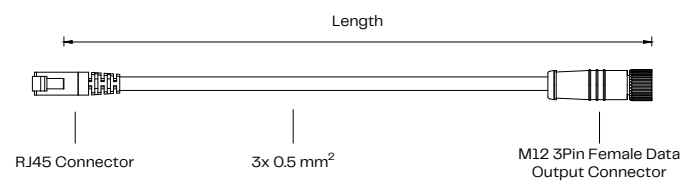
Product Code	Cable Length (m)	Weight (kg)
7940122	1,8	0,6



Single Feed System Long Range

Data Leader Cable

Product Code	Cable Length (m)	Weight (kg)
7900101	15	0,9
7900102	30	1,8
7900103	50	3
7900104	75	4,5
7900105	100	6
7900106	150	9
7900107	250	15
7900108	300	18
7900109	350	21



M19 5Pin Power Cable

Product Code	Cable Length (m)	Weight (kg)
7940121	1,8	0,6

