

Our cables are purpose-built to seamlessly connect and power every lighting product in our portfolio. Whether you're installing linear fixtures, pixel-controlled modules, or dynamic façade luminaires, these cables ensure robust electrical continuity and consistent signal transmission across your entire system.

Designed with matching connectors, lengths, and specifications per product type, they simplify installation and reduce on-site wiring complexity. From plug-and-play leader cables for quick connections to durable jumper cables bridging longer distances, every cable is tested for reliability and performance in demanding environments.

- System-Matched Design — Fully compatible with each fixture type for plug-and-play integration.
- Robust & Scalable — Built to support flexible layouts, long runs, and outdoor-grade durability.



CE RoHS IP68 IK08

## Specifications

### Operating

Environment	Outdoor	
Storage Temperature (°C)	-40 to +85	
Working Temperature (°C)	-25 to +65	
Oil Resistant	Yes	
UV Resistant	Yes	
Flame Retardant	Yes	
IK Rating	IK08	
IP Rating	M20	IP68
	RJ45	IP20
Certification	CE, RoHS	
Limited Warranty	5 Years	

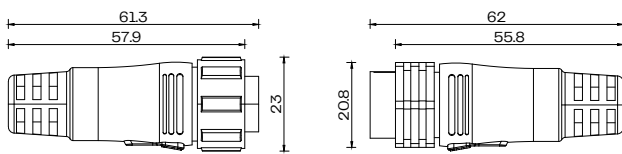
### Physical

Cable Material	PCP	
Connector Material	M20	Nylon (PA66)
	M12data	Nylon (PA66) + SS316
	RJ45	Nylon (PA66) + PC
Cable Color	Black	
Connector Type	M20, M12data, RJ45	

## Options

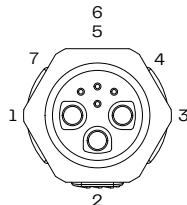
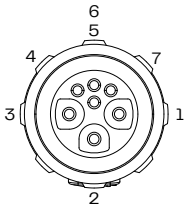
### Single Feed System

- Short Range
- Long Range



Male Connector

Female Connector



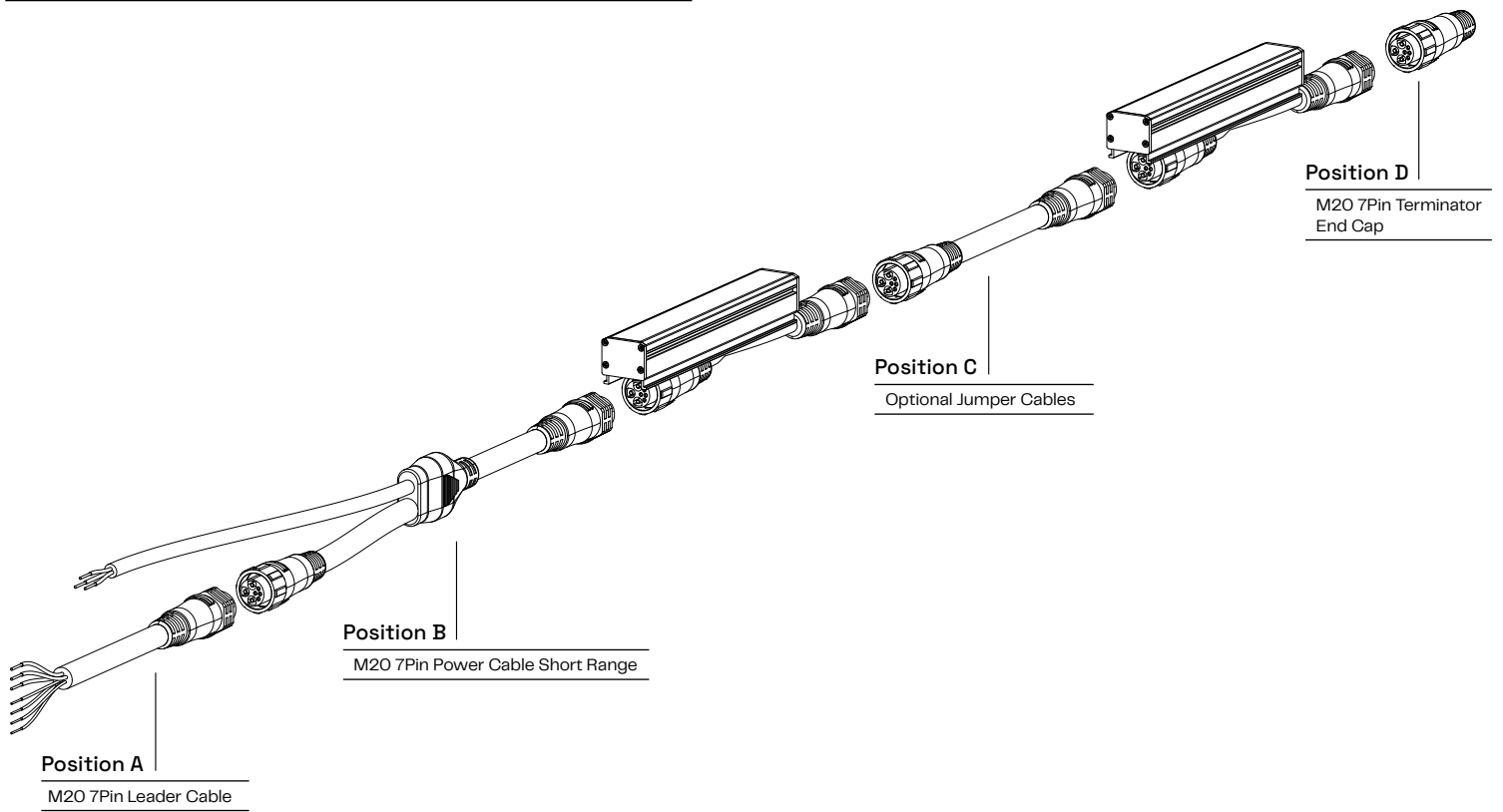
### Pin Out

Pin 1	Brown	L (230)
Pin 2	Green	Earth
Pin 3	Blue	N (230)
Pin 4	Black	GND
Pin 5	Red	Program
Pin 6	Blue	Data -
Pin 7	Green	Data +

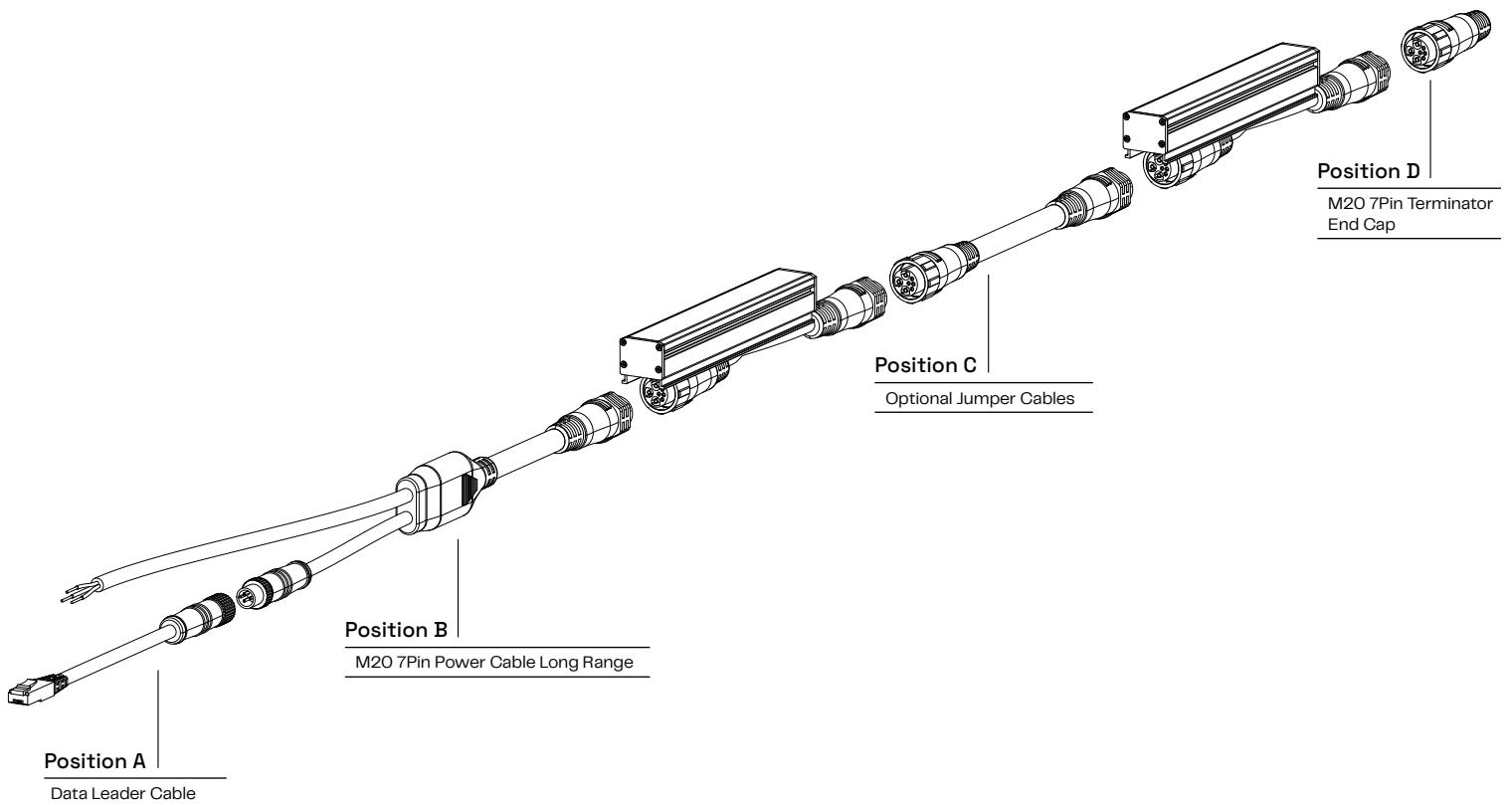
DO NOT PUBLISH

# Optional Systems

## Single Feed System Short Range



## Single Feed System Long Range



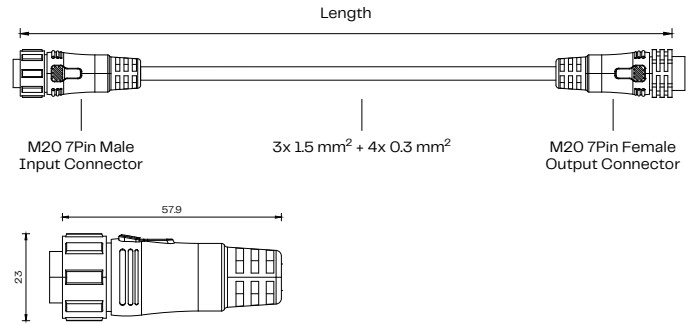
For additional advanced system options, please contact our sales department.

# Product Configurations

## Universal

### M20 7Pin Jumper Cable

Product Code	Cable Length (m)	Weight (kg)
7930171	1	0,4
7930172	2	0,8
7930173	3	1,2
7930174	5	2
7930175	10	4



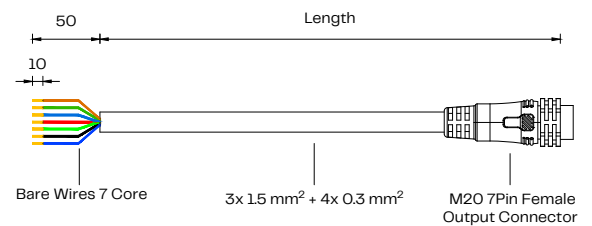
### M20 End Cap

Product Code	Variation
7940162	M20 Terminator End Cap

## Single Feed System Short Range

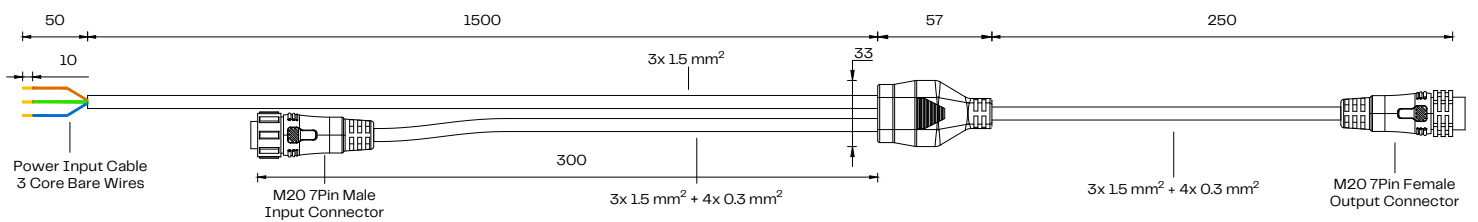
### M20 7Pin Leader Cable

Product Code	Cable Length (m)	Weight (kg)
7930151	1	0,4
7930152	2	0,8
7930153	3	1,2
7930154	5	2
7930155	10	4



### M20 7Pin Power Cable

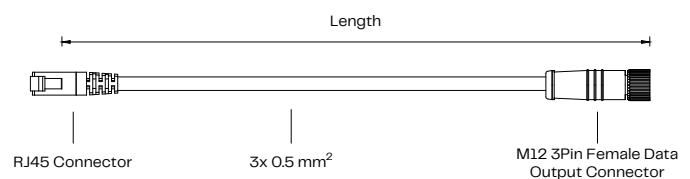
Product Code	Cable Length (m)	Weight (kg)
7930122	1,8	0,6



## Single Feed System Long Range

### Data Leader Cable

Product Code	Cable Length (m)	Weight (kg)
7900101	15	0,9
7900102	30	1,8
7900103	50	3
7900104	75	4,5
7900105	100	6
7900106	150	9
7900107	250	15
7900108	300	18
7900109	350	21



### M20 7Pin Power Cable

Product Code	Cable Length (m)	Weight (kg)
7930121	1,8	0,6

